

P Series 3-Phase Foot(Leg) Mounted Type

0.4kW

■ SPECIFICATION

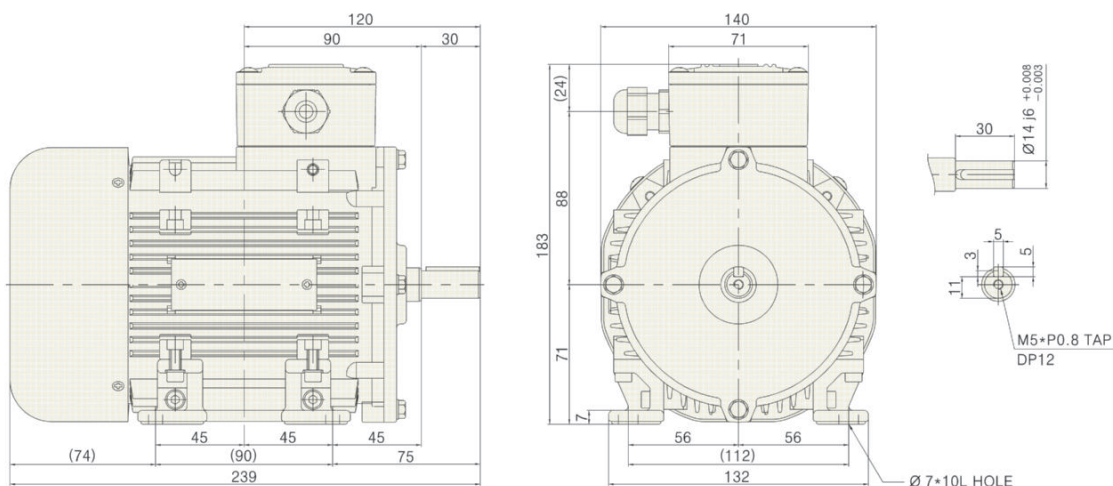
■ MOTOR

Frame No.	Output (kW)	Model Name	Poles	Voltage (V)	Freq. (Hz)	Duty	Rated Load					Degrees of protection	Insulation Classification	Protective Cooling System
							Current (A)	Speed (r/min)	Torque (kgf-cm)	Power Factor(p.u.)	Efficiency (%)			
71M	0.4	PMCB040-2R4L□□	2	220/380	60	CONT.	2,10/1,20	3480	11,2	0,73	69,4	IP55	F	Totally Enclosed Fan-Cooled
					50		1,80/1,05	2895	12,5	0,71	70,8			
		2	60	1,05	3490		12,0	0,74	70,5					
			4	220/380	60		2,00/1,20	1730	22,5	0,73	73,6			
		4			230/400		50	1,50/0,90	1405	25,5	0,80			
			60	0,90			1695	24,5	0,83	73,0				

- Note) • Foot (Leg) Mounted Type and Flange Mounted Type have the same specifications
 • Actual rated power for voltage U6 model is 0,37kW at 230V/400V 50Hz and 0,43kW at 460V 60Hz

■ PM-L Type DIMENSIONS [Foot(Leg) Mounted Type]

UNIT = mm



- Note) • Key and Key groove tolerance : KS B 1311
 • The total length of the products may vary depending on the mounting position of the discrete foot
 • \varnothing D tolerance for output shaft : KS B 0401

Bearing No.		Weight
Load	Unload	
6203ZZ	6203ZZ	6,43kg

Model Name Coding
 9Page

Specification for output shaft
 30Page

Technological Data
 101Page